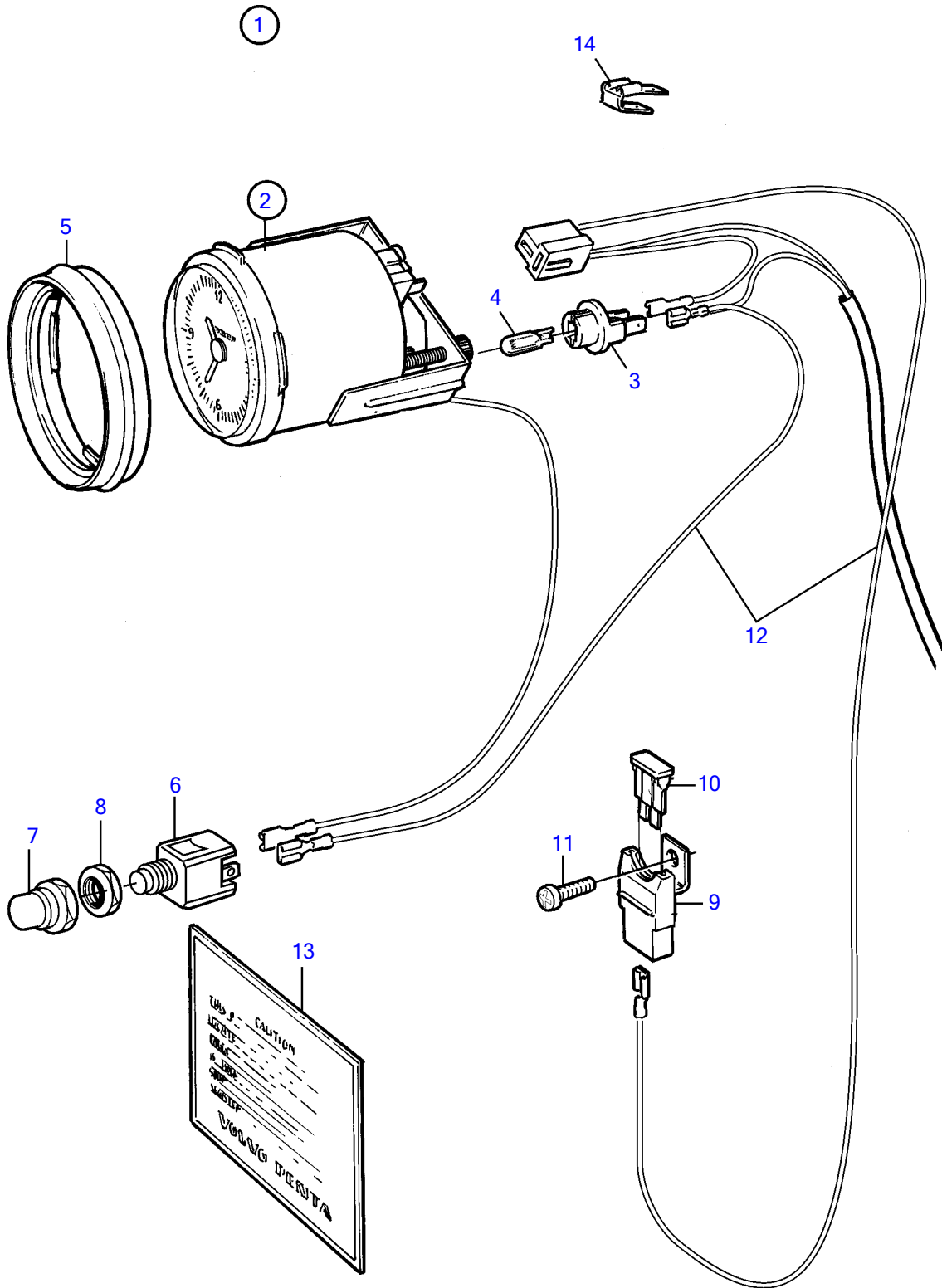


AD31L-A, AD31P-A, AD41L-A, AD41P-A, D41L-A, TAMD31L-A, TAMD31M-A, TAMD31P-A, TAMD31S-A, TAMD41H-A, TAMD41H-B, TAMD41P-A, TAMD41L-A, TAMD41M-A, TMD31L-A, TMD41L-A



AD31L-A, AD31P-A, AD41L-A, AD41P-A, D41L-A, TAMD31L-A, TAMD31M-A, TAMD31P-A, TAMD31S-A, TAMD41H-A, TAMD41H-B, TAMD41P-A, TAMD41L-A, TAMD41M-A, TMD31L-A, TMD41L-A

REF	PART NO.	QTY	DESCRIPTION	NOTES
1	1140597	1	Clock kit	
2	856814	1	• Clock	
3	863945	1	• • Lamp socket	
4	863946	1	• • Bulb	
5	858643	1	• Front ring	
6	828584	1	• Toggle switch	
7	828586	1	• Nut	
8	872407	1	• Hexagon nut	
9	1323312	1	• Insulator	
10	981405	1	• Fuse	3A (969115)
11	972070	1	• 6 point socket screw	
12	872492	1	• Cable kit	
13	841242	1	• Label	
14	943950	1	• Switch	